

Instruction & Operating Manual

SLUICE SINK



Read and understand all of the instructions and safety information in this manual before operating this product.



Yellow triangle with exclamation mark indicates potential minor injury to personnel or damage to equipment



Yellow triangle with lightning bolt indicates possible electric shock hazard

USER ATTENTION

All employees who will use the Olive Sluice Sink must be briefed in its proper use and operation before using it. All employees who will utilize the Olive Sluice Sink should be aware that reasonable precautions must be taken to ensure patient safety and the Sluice Sink's performance.

This product should only be used for the purpose for which it was created. Using this device in a way that is not recommended by Olive Health Care may void the equipment manufacturer's warranty. Olive Health Care disclaims all responsibility for the effects of using this product for purposes other than those for which it was intended. Misuse or alteration of a product can be dangerous. Olive Health Care disclaims all obligation for the results of product modifications, as well as the repercussions of using this product in combination with other products.



For the purpose of safety, wear appropriate PPE kit: mask, gloves, eye protection and gown



Use of unqualified persons may lead to injury to personnel and/or damage to equipment. Personnel using the Olive Sluice Sink must be educated on best practices, use, and maintenance of the product to avoid injury or damage. Repair and adjustments should be attempted by persons qualified as representatives of the manufacturer

PRODUCT DESCRIPTION

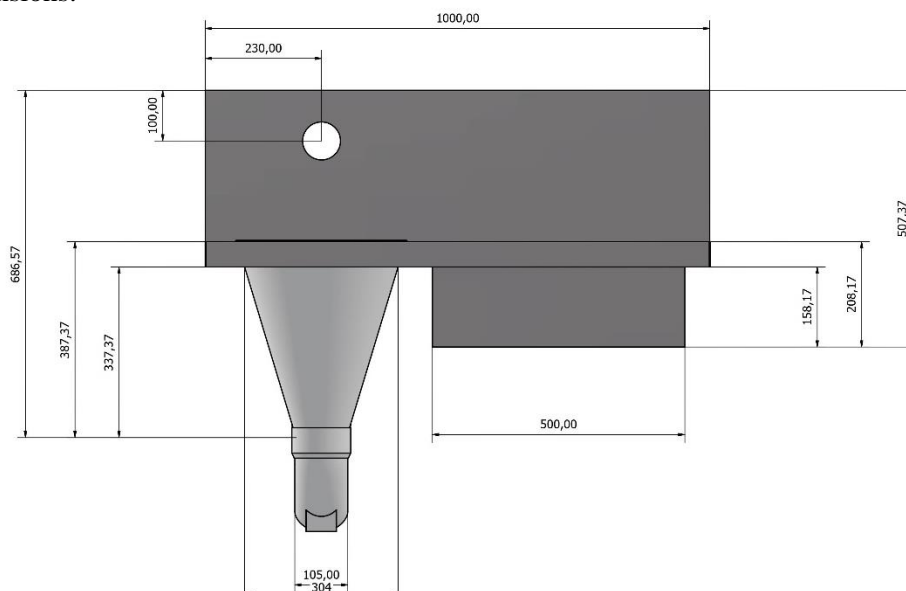
Sluice sinks (also referred to as disposal units and slop hoppers) are designed for use in clinical areas to enable the safe and hygienic disposal of body waste, such as the contents of vomit bowls, drainage bags, bed pans, and urine bottles.

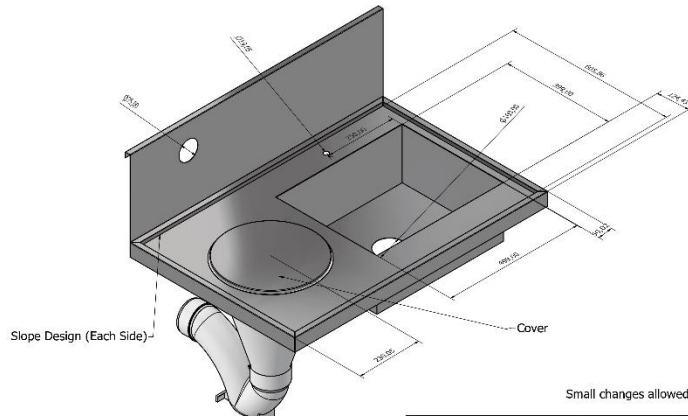
INTENDED USE

This product is designed for healthcare workers to utilise in order to flush body wastes without compromising safety and hygiene.

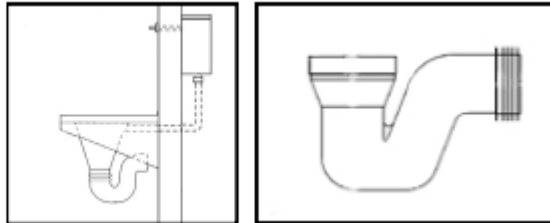
GENERAL SPECIFICATIONS

- Stainless Steel Construction
- Conical flushing bowl with continues flushing rim/valve having whirl effect
- Square sink with tap for washing the utensils and hand washing
- P trap for drainage
- Health faucet
- Dimensions:





P Trap - horizontal outlet



LIST OF PARTS

Item Name	Model No.	Units
Body	OSSSSB01	1
Sluce sink cover	OSSSSC01	1
Water Tap	OSSBRWT01	1
P-Trap	OSSPVCPT01	1
Health Faucet	OSSSSH01	1
Flush valve	OSSSFL01	1
Inlet connecting hose	OSSPIH02	-
For Health Faucet	OSSPIHF01	1
For Flush valve (1 inch hose)	OSSPIHFV01	1

FLUSHING THE SLUCE SINK

The sluce sink is emptied by flushing. The sluce sink incorporates a flushing rim at the top similar to a normal toilet and requires a manual cistern to flush and empty the contents of the sluce bowl.

MAINTENANCE AND BEST PRACTICES

CAUTION: The user is responsible for thoroughly cleaning and maintaining the sluce sink to ensure optimum functioning.

IMPORTANT: To obtain the maximum benefit of the Sluce Sink, certain procedures need to be followed:

1. Flush immediately after pouring body wastes down the sink.
2. Close the sluce sink with lid provided after flushing

REPAIRS AND REPLACEMENT

Please contact the Olive Health Care support team if you have any concerns with component replacement or repairs

NOTES & DISCUSSION

WARRANTY

Olive Health Care warrants to the original purchaser of the Olive Sluice Sink that defective products/components shall be repaired/replaced by Olive Health care, so long as owned by the original purchases with limitations set forth as under:

The customer must obtain a return authorization supplied by the customer service team of Olive Health Care. The product must be returned adequately packed so as to avoid damages during transit, with copy of original sales receipt and copy of the RMA authorization

The customer must pay freight charges to and from Olive Health Care manufacturing unit. Olive Health Care does not warrant any damage charges caused during transit. Customer shall be responsible for detailed inspection before signing the BOL

This warranty shall not apply to product(s)/components that have been subject to misuse, negligence, modification, alteration, lack of routine maintenance and/or misapplication, or products damaged due to servicing other than Olive Health Care representatives

This warranty shall not apply to components or parts not manufactured by Olive Health Care. Olive Health Care will pass on the original manufacturer’s warranty to the original purchaser. Please consult the service team for warranty details of such components.

UNLESS EXPRESSLY SET FORTH, THERE SHALL BE NO OTHER WARRANTIES, WHETHER EXPRESS OR IMPLIED, OF FITNESS AND/OR MERCHNATABILITY OR ANY OTHER WARRANTIES IMPLIED BY CUTOM,USAGE OR COURSE OF DEALING

Olive Health Care’s liability in this agreement is limited to repair/ replacement of any product or component purchased by the original purchaser. Olive Health Care disclaims responsibility for any incidental or consequential damages claimed to have arisen from any defect in workmanship or materials. No representative of Olive Health Care has the authority to change or enlarge the above warranty agreement.

For further support,
 Contact customer support team:
 support@oliveendoscopy.com
 Landline: 0484 403 8810